

VILLA LAGOON TILE

BREEZE BLOCKS FOR A NEW GENERATION



Hello.

The Villa Lagoon Tile team shares a passion for hand-crafted tile and breeze blocks. Based on the US Gulf Coast, we serve clients worldwide. We employ artisans in several countries hand-crafting tiles, blocks, and accessories for residential and hospitality projects around the world.

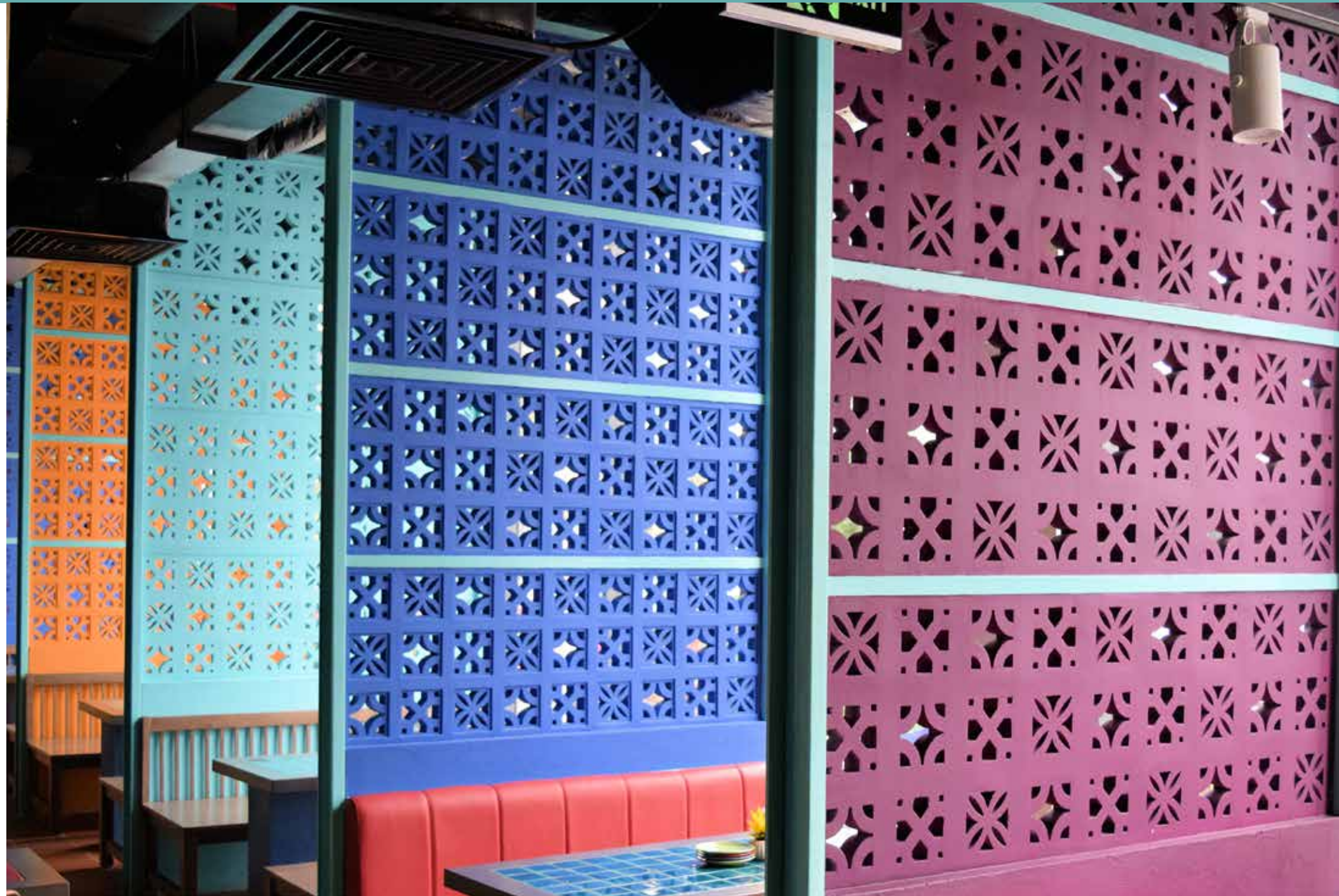
Keeping Craft Alive.

OUR MISSION is to bring the world's best handmade tile artisans to architects and designers to create signature custom looks and unique design elements for hospitality and residential projects.



VillaLagoonTile.com

Handcrafted Tile & Breeze Blocks



Breeze Blocks

A NEW GENERATION

Villa Lagoon Tile's Breeze Blocks are adding to the revival of mid-century modern architecture, with a more refined version of the pattern blocks of the original era. We like to call them "Breeze Blocks 2.0". These hand crafted blocks use finer sand aggregate and hydraulic presses, rather than the course cast products of the past. This makes these blocks thinner, smoother, and generally more appealing than their "1.0" counterparts.



8" CONCRETE BREEZE BLOCKS

SHOWN IN NATURAL WHITE



IBIZA



COZUMEL



SANTORINI



BORA BORA



CURACAO



BORNEO



ANTIGUA



KYUSHU



TORTUGA



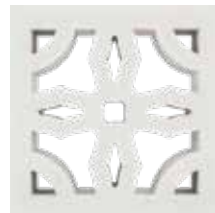
MAUI



MYKONOS



SAMOA



MOOREA



PALAU



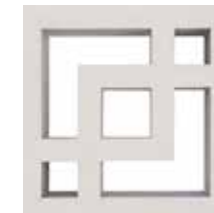
FIJI



ARUBA



PALAWAN



KOMODO



BARBADOS



KAUAI



CAICOS



KAHOOLAWEE



LUZON



MALDIVES



ANEGADA



TONGA



TURKS



HAWAII



MOLOKAI



ZANZIBAR



BALI



BAFFIN

8" CONCRETE BREEZE BLOCKS

SHOWN IN NATURAL WHITE



ANTIGUA



KYUSHU



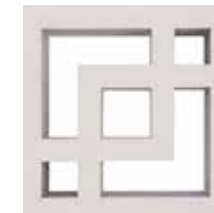
TORTUGA



MAUI



PALAWAN



KOMODO



BARBADOS



KAUAI



8" CONCRETE BREEZE BLOCKS

SHOWN IN NATURAL WHITE



SEYCHELLES



CRETE



CAPRI



TAHITI



SARDINIA



LANAI



SUMATRA



JAMAICA



CORFU



CYPRUS



Structural Grooves
*SHOWN IN NATURAL GRAY



TINIAN



ROTA



SAINT LUCIA



ANTILLES



AKUTAN



GUAM



MILOS



NAXOS

Format: 7 1/2" Square
Dimension: 190x190x65-80 mm
Coverage: 2.3 pieces Per Square Foot

Weight: 5-8 lbs Each
Composition: White Portland Cement
Fine & Course White Sand





12" CONCRETE BREEZE BLOCKS

SHOWN IN NATURAL WHITE



LARGE IBIZA



LARGE BEVELED
IBIZA



LARGE BEVELED
COZUMEL



LARGE BELIZE



LARGE CATALINA



LARGE MALTA



LARGE KORCULA



LARGE KYUSHU



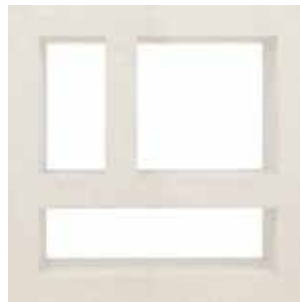
LARGE BARBADOS



LARGE TONGA



LARGE CAYMAN



LARGE KAUAI

12" CONCRETE BREEZE BLOCKS

SHOWN IN NATURAL WHITE



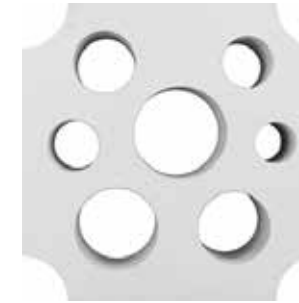
LARGE ARUBA



LARGE ARUBA
(NO INLET)



LARGE REDONDA



LARGE AZORES



LARGE ANEGADA



LARGE TORTOLA



LARGE BAFFIN



LARGE BERMUDA



LARGE MENORCA



LARGE MALLORCA

Format: 11 3/8" Square
 Dimension: 290x290x90 mm
 Coverage: 1.02 pieces Per Square Foot
 Weight: 16 -25 lbs Each
 Composition: White Portland Cement
 Fine & Course White Sand

SPECIAL SHAPES & ACCESSORIES



TASMANIA
15 3/8" Rectangle
300x200x80 mm
1.55 Pieces Per Square Foot



ELBA
12" Rectangle
300x100x120 mm
3.8 Pieces Per Square Foot



CORSICA
12" Rectangle
300x100/120x120 mm
3.2 Pieces Per Square Foot



BARATANG
12"x 7 7/8"
300x190x90 mm
1.65 Pieces Per Square Foot
10.2 lbs Each



MOLOKINI



RAPA NUI
7 1/2" Triangle
190x160x65 mm
5.5 Pieces Per Square Foot
3.3 lbs Each



VANCOUVER
11 5/8" Triangle
295x295x65 mm
2.4 Pieces Per Square Foot



GALAPAGOS
9 1/2" x 8" Rectangle
240x200x80 mm
Trapezoidal Cross Section



GILI
12" Rectangle
390x190x90 mm
1.25 Pieces Per Square Foot
14.77 lbs Each



Windbreaker Sixty-Five
7 1/2" Square
190x190x65 mm
2.3 Pieces Per Square Foot
10 lbs Each



Large Half-Windbreaker Ninety
11 3/8" Rectangle
290x145x90 mm
8 Pieces Per Square Foot
17 lbs Each



LARGE FULL Windbreaker
Ninety
11 3/8" Square
290x290x90 mm
4 Pieces Per Square Foot
32 lbs Each



Round Cap Blocks
Sizes:
190 x 70 mm
290 x 70 mm



Square Cap Blocks
Sizes:
190 x 70 mm
290 x 70 mm



LUZON Windbreaker
190x190x65 mm
(7 1/2" x 7 1/2")



PALAWAN Windbreaker
190x190x65 mm
(7 1/2" x 7 1/2")

TRAPEZOIDAL CROSS-SECTION ALLOWS INSTALLATIONS TO BEND & FLOW, JUST BY USING THE ANGLED SIDES IN DIFFERENT ORIENTATIONS



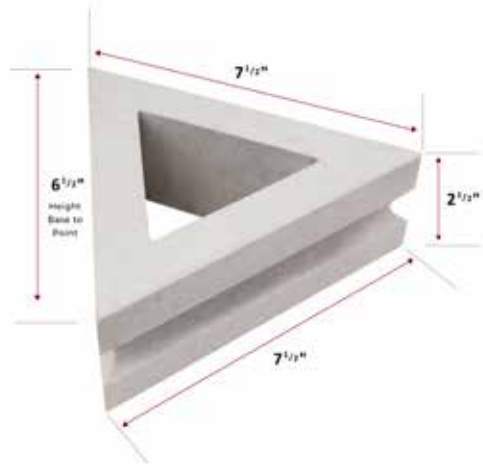
GALAPAGOS

INNOVATIVE SHAPED BREEZE BLOCK

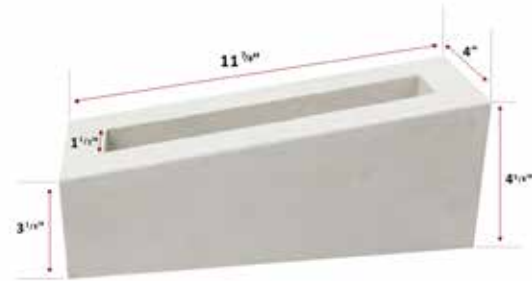


SPECIAL DIMENSIONS

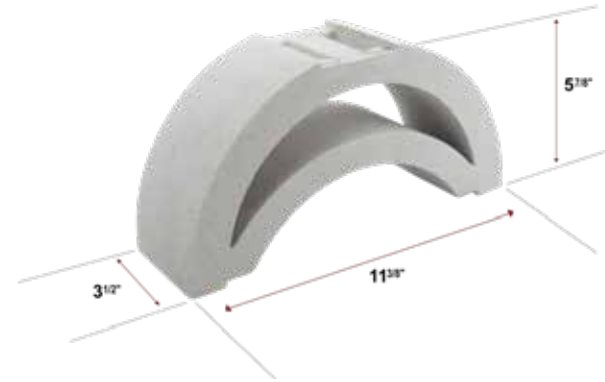
RAPA NUI



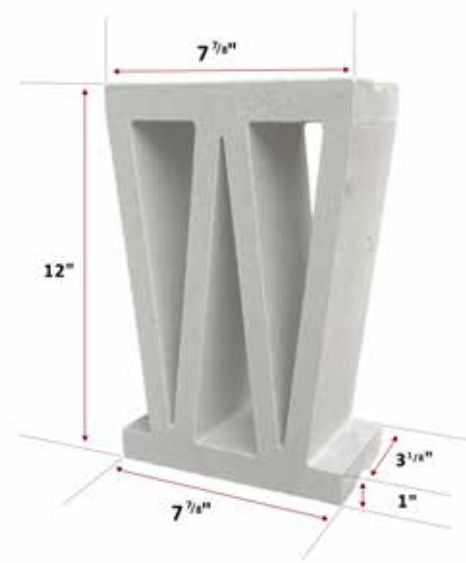
CORSICA



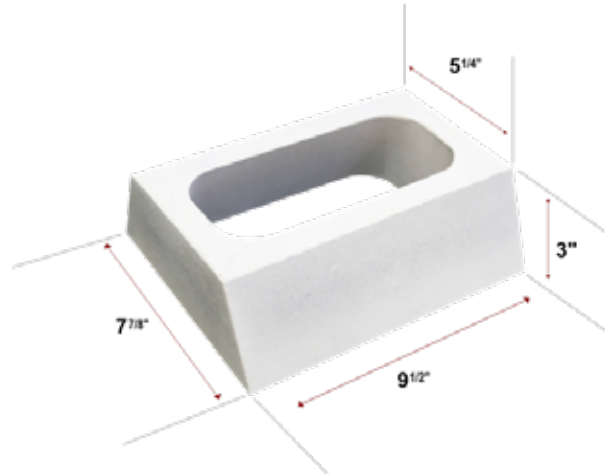
MOLOKINI



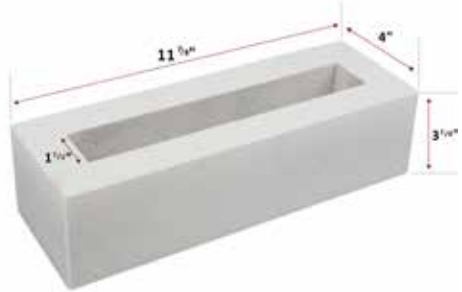
BARATANG



GALAPAGOS



ELBA

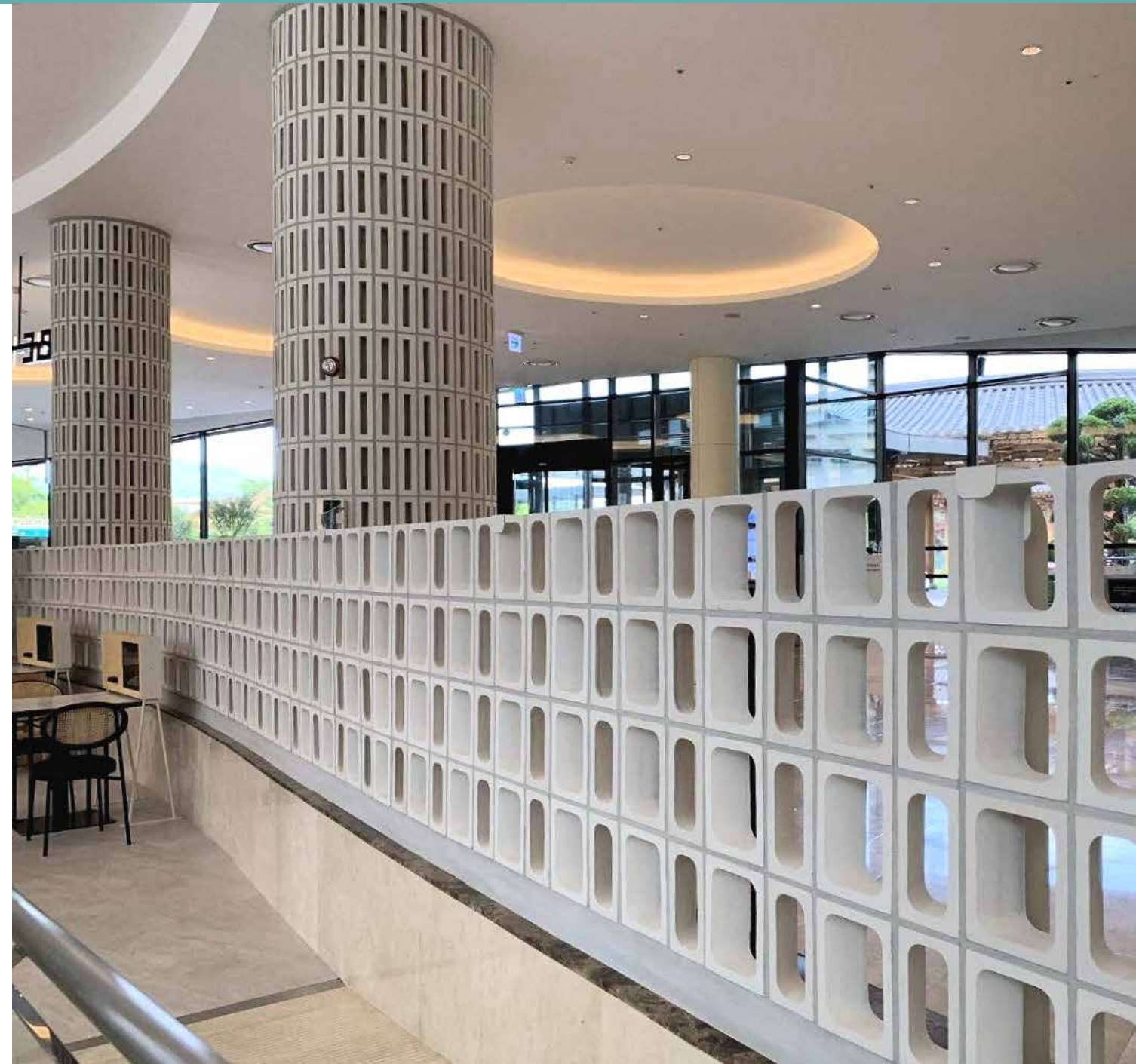


*Nominal dimensions shown - request a tear sheet for full specs.

CUSTOMIZED DESIGNS AVAILABLE



- ◆ Collaborate with our in-house R&D team.
- ◆ Co-create a bespoke block design that aligns with your project's unique vision.
- ◆ Experience our commitment to excellent.



CRAFTED IN COLOR



COLOR BLOCKS
MADE TO ORDER
Contact Us for
Minimum Order
Quantity (MOQ)

SELECT
BLACK & TERRACOTTA
BLOCKS IN STOCK



SANDSCAPE WALL TILE

Our SandScape Tiles are crafted with a blend of fine and coarse white sand, combined with white Portland cement to create a subtle texture reminiscent of a skillfully crafted sandcastle. These eco-friendly and straightforward materials make for the perfect complement to any vertical outdoor design element. SandScape Tiles lend themselves especially well to bar fronts, fireplaces, columns and privacy walls. Available in thirteen colors, you can find the perfect match for your project. Plus, our tiles are easily paintable, giving you the freedom to create a truly customized look.

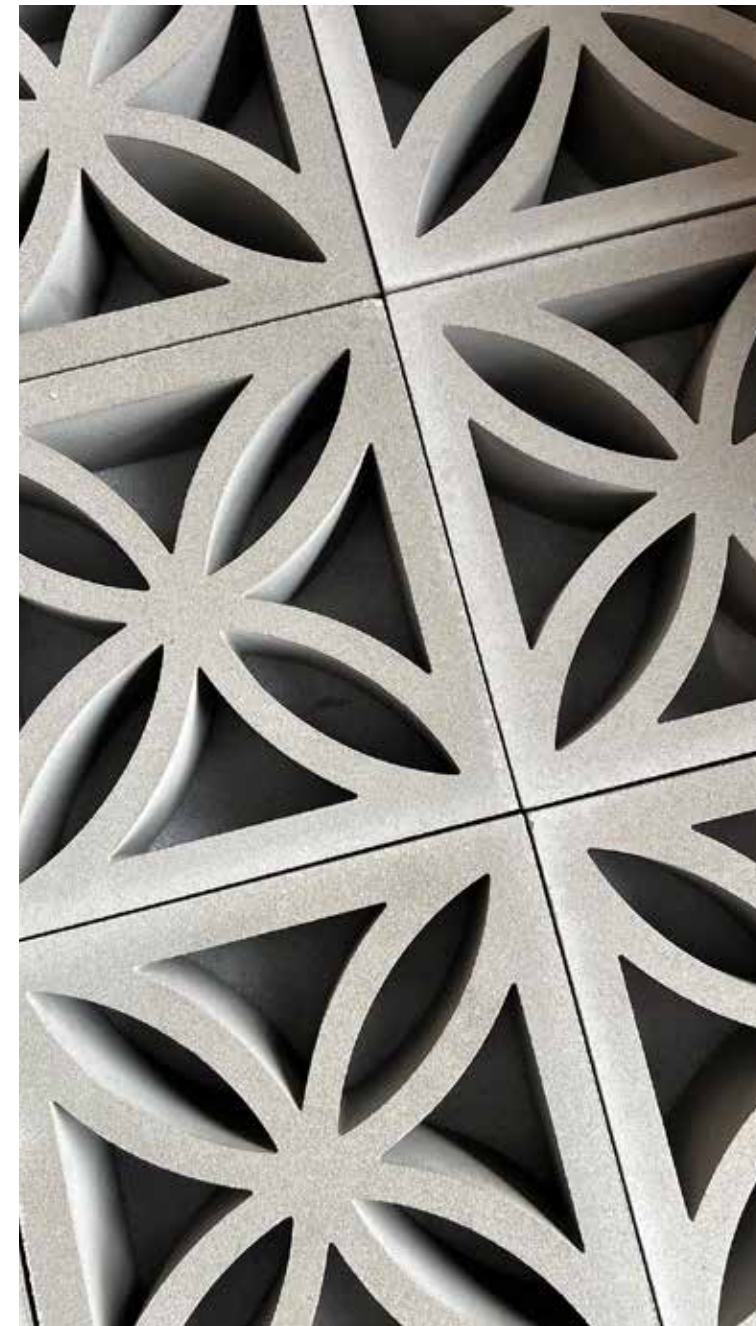


Available in Multiple Plank Sizes
in 1/2" Thickness:

100x100x12 mm (4" x 4")
200x100x12 mm (8" x 2")
200x50x12 mm (8" x 4")
300x50x12 mm (12" x 2")
300x100x12 mm (12" x 4")

CAN BE
CUSTOM
MADE IN
ALL BREEZE
BLOCK
COLORS

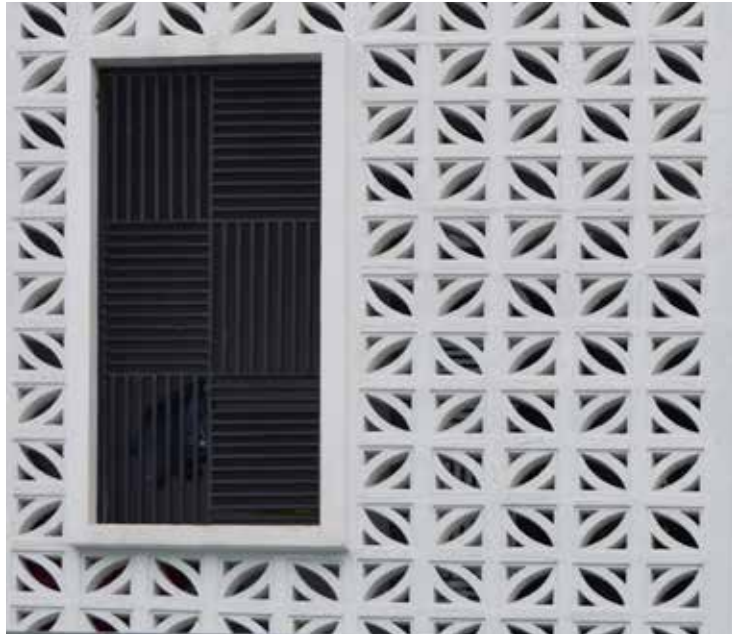










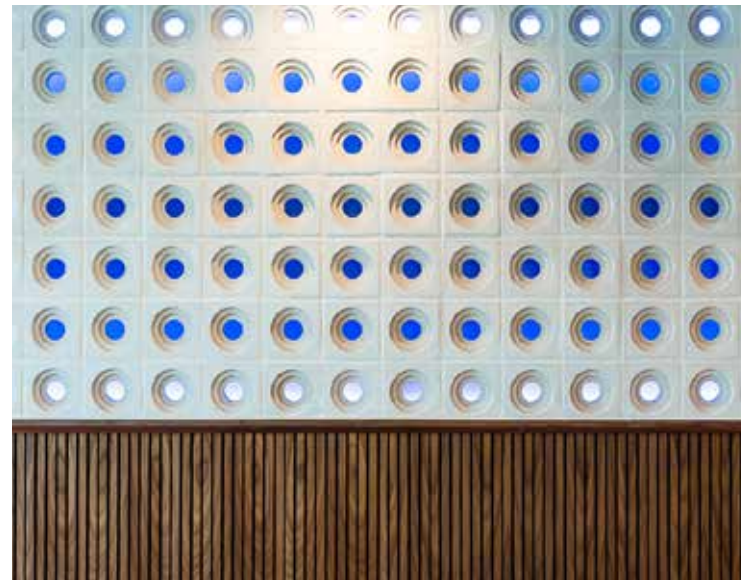


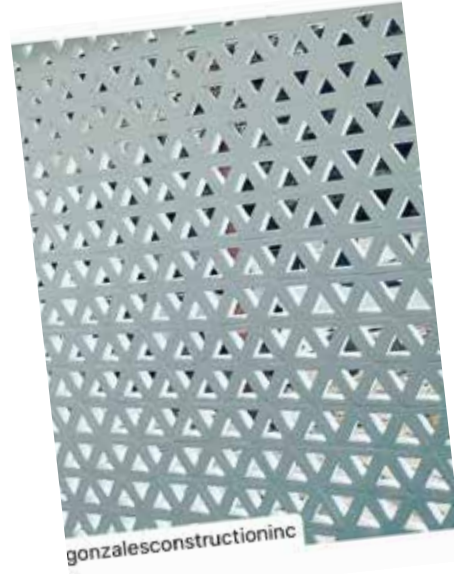












SHARE YOUR PHOTOS
TAG US @VILLALAGOONTILE

Installing Breeze Blocks

UNDERSTANDING INSTALLATION REQUIREMENTS

Breeze Blocks are decorative, and are not intended for load-bearing walls. Breeze block wall spans should not exceed 3 meters (9.8 feet). Structural pilasters, steel H-beams, steel bar plates, or other similar vertical supports should be incorporated to allow for longer walls. Lintel beams or similar load-bearing structures should be incorporated for walls exceeding 2.5 meters (8 feet) in height. These supports should meet your local building code, and be planned by a structural engineer, general contractor, or other licensed professional.



Block 12"



Block 8"

Our Breeze Block designs incorporate channels on all four sides (8" block), or two sides (12" block) to accommodate steel dowel or rebar reinforcement, to anchor installations to the surrounding structure, and increase the wall's flexural strength. Consider using epoxy-coated rebar, or other forms of corrosion protection, to extend the lifespan of your structure.

The steps listed here lay out general guidelines, however may not be sufficient for every application. Please make sure that your installation procedure follows local building codes.

PREPARE THE FOUNDATION

Ensure a suitable foundation and substrate that is:

- » Capable of bearing the weight of the screen wall segment.
- » Clean and level.
- » Suitable for mortar installation.

SELECTING THE MORTAR

Use conventional cementitious mortar (mortar mix, masonry mix) of an appropriate grade for the project. Note that white mortars are available, which use only white sand, and white cements. Ensure that the mortar purchased meets ASTM requirements for the application.

*Understand and follow the directions for the mortar used. Refer to your mortar's specification sheet to confirm hydration requirements.



CEMENT NEEDS WATER TO CURE



While it is easy to think of waiting for cement to cure as "drying", it is actually a chemical process which consumes water, and continues forever. Luckily, almost all of the strength is achieved in the first 28 days, and about 70-75% of that strength is achieved in the first 7 days.

In preparation for setting the blocks, submerge them momentarily in water (at least 1 minute). This ensures that the dry blocks do not absorb too much moisture from the mortar, preventing the joints from curing properly.

After laying the blocks, frequently water (using a hose for exterior or spray bottle for interior) the installation a minimum of 3 times a day for 5 days.

Installing Breeze Blocks (continued)

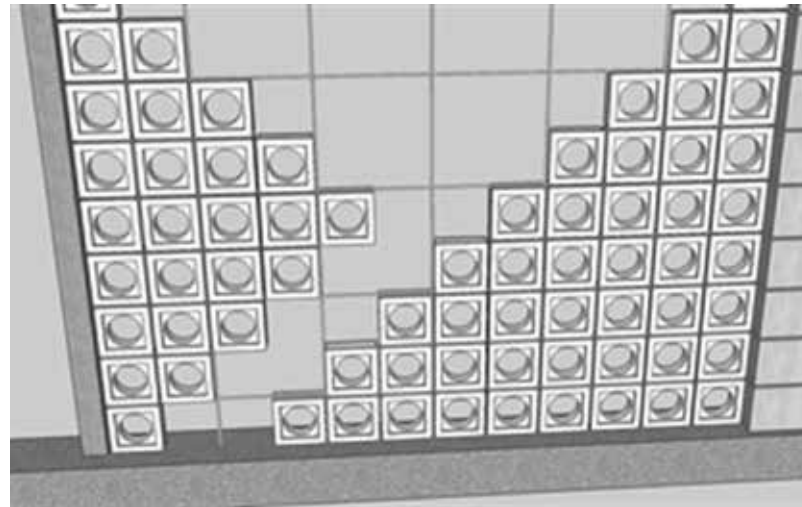
INSTALLATION METHOD

Install by using standard masonry techniques.

- » Begin your installation at corners or against pilasters, working towards the middle.
- » Use a 5mm-10mm grout joint (approx $\frac{3}{8}$ ") for 8" blocks; or use a 10mm - 20 mm ($\frac{3}{8}$ " to $\frac{3}{4}$ ") grout joint (approx $\frac{1}{2}$ ") for 12" blocks.
- » Maximum 2cm grout joint (approx $\frac{3}{4}$ ").
- » Insert steel reinforcement every 3rd course for 8" blocks and 2nd course for 12" blocks
- » Make sure not to build too fast for the selected mortar. Your professional mason will know if the grout has cured enough, before continuing with higher courses.

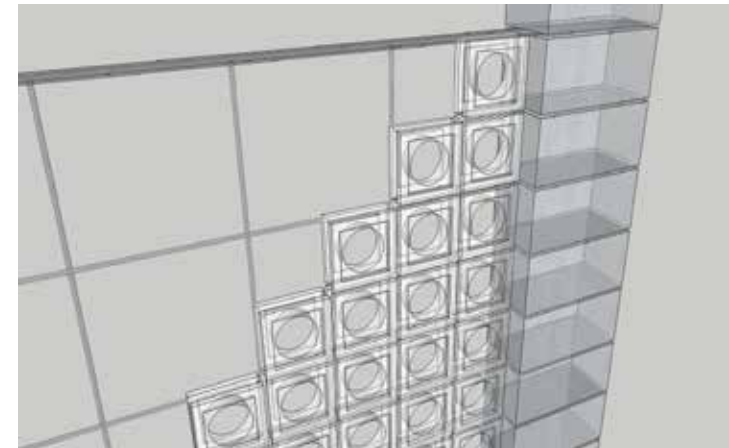
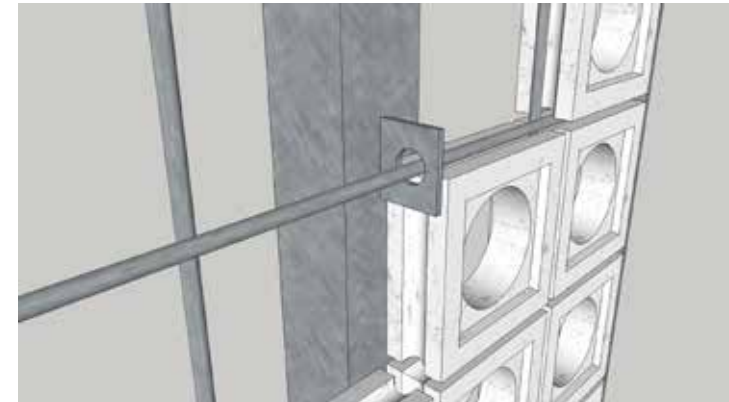
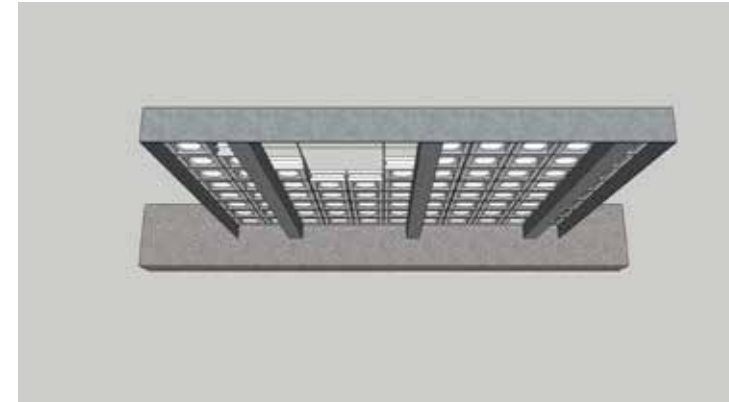
AFTER INSTALLATION

- » Make sure to maintain proper hydration for 7 days.
- » Expect about 30 days before the installation can be painted, or other finishes applied, depending on the local climate.



CONCLUSION

- » Breeze Block installation is not a DIY project.
- » Installation should be done by a professional mason.
- » The project should be overseen by a licensed general contractor.
- » Larger installations should be planned by a structural engineer.
- » Local building codes supersede any recommendations in this document.





In addition to our standard block colors, you can also paint the blocks with a variety of water based paints while maintaining the unique refined surfaces.



CEMENT TILE • TERRAZZO • BREEZE BLOCKS • GLAZED ZELLEGE • TERRACOTTA



MORE TO EXPLORE AT VILLALAGOONTILE.COM

info@villalagoontile.com • 251.968.3375



VillaLagoonTile.com

Handcrafted Tile & Breeze Blocks